

RETAINING WALL #5 FOUNDATION IN PLAN

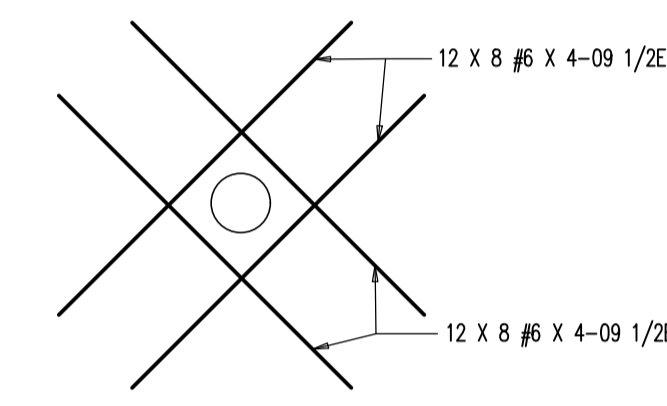
TABLE-A	
A1	2 X 1 #6 X 13-02
A2	2 X 1 #6 X 14-05
A3	2 X 1 #6 X 15-09
A4	2 X 1 #6 X 17-00
A5	2 X 1 #6 X 18-04
A6	2 X 1 #6 X 19-07
A7	2 X 1 #6 X 20-11

TABLE-B	
B1	5 #6 X 11-01
B2	6 #6 X 11-04
B3	1 #6 X 11-06

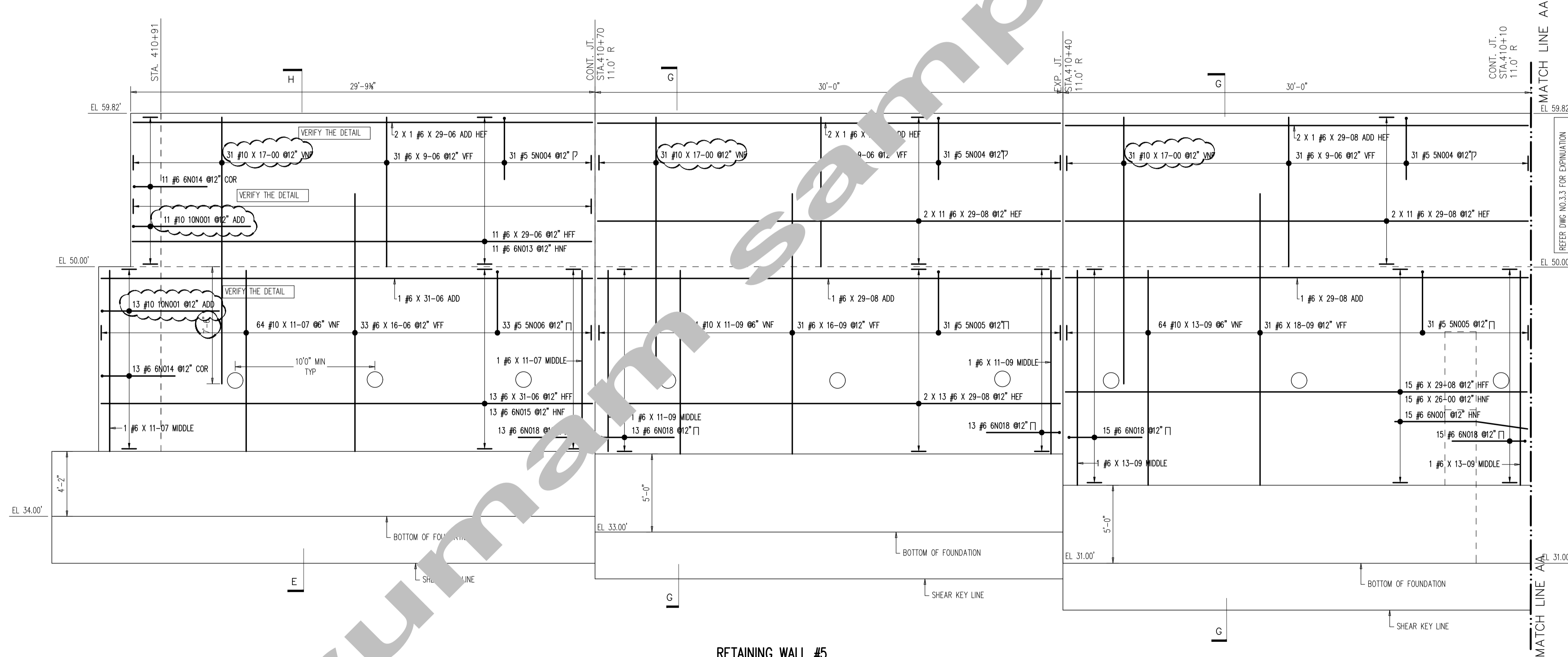
TABLE-C	
C1	5 #10 X 11-01
C2	6 #10 X 11-04
C3	1 #10 X 11-06

TABLE-G	
G1	4 X 1 #6 X 9-06
G2	4 X 1 #6 X 10-10
G3	4 X 1 #6 X 12-01
G4	4 X 1 #6 X 13-04
G5	4 X 2 #6 X 14-03

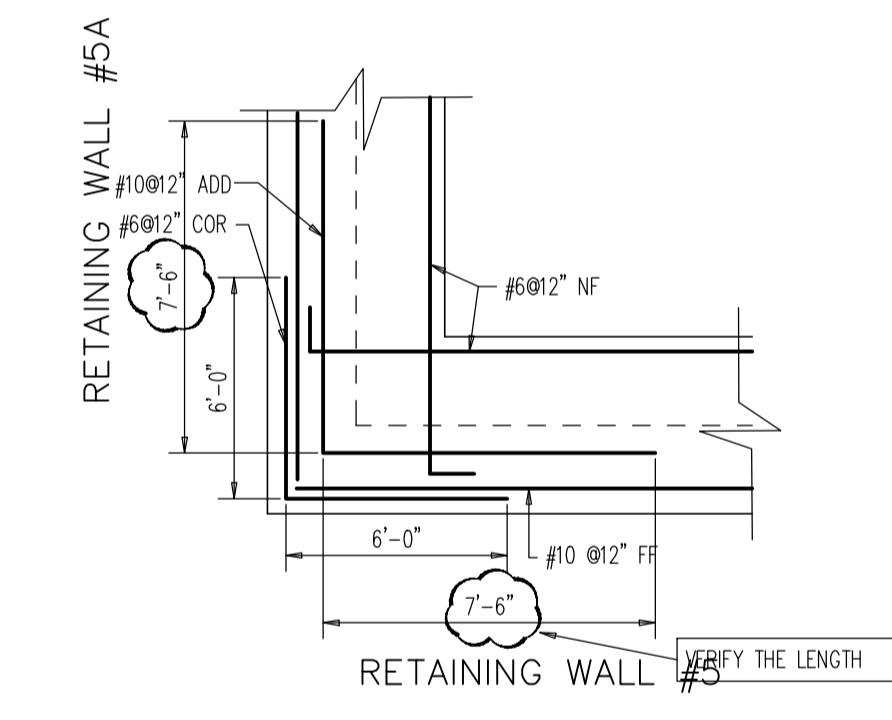
TABLE-D	
D1	2 X 1 #6 X 31-05
D2	2 X 1 #6 X 32-02
D3	2 X 1 #6 X 33-00
D4	2 X 1 #6 X 33-09
D5	2 X 1 #6 X 34-06
D6	2 X 1 #6 X 35-04
D7	2 X 1 #6 X 36-01
D8	2 X 1 #6 X 36-10
D9	2 X 1 #6 X 37-08
D10	2 X 1 #6 X 38-04



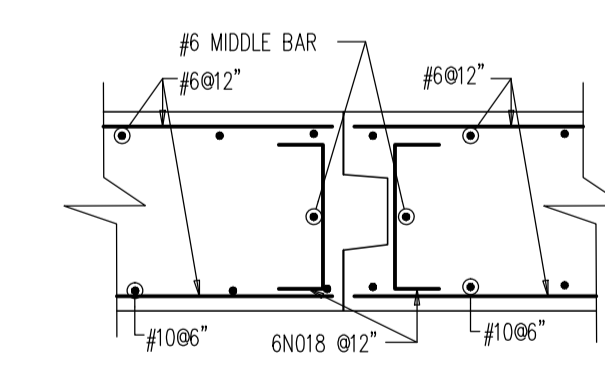
WEEP HOLE OPENING
NO PLACES 12



RETAINING WALL #5



CORNER BAR DETAILS



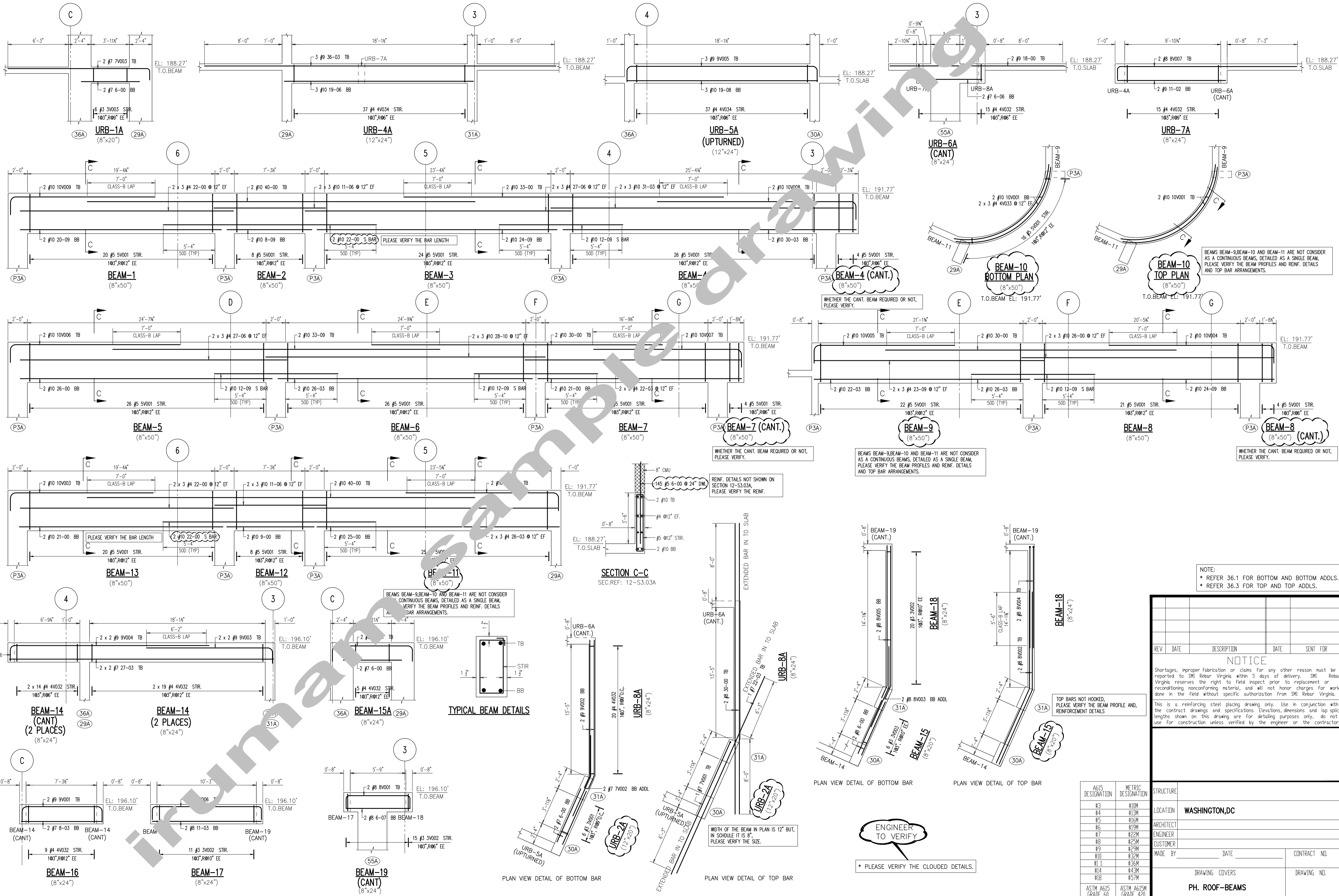
TYP EXTRACTION JOINT DETAILS

ENGINEER TO VERIFY
VERIFY THE CLOUDED DIMENSIONS & ELEVATIONS

NOTES:
1. REFER DWG NO 3.1. FOR BASE PLAN, RETAINING WALL #4
2. REFER DWG NO.3.3 FOR RETAINING WALL #5 FOUNDATION & WALL EXPIUNIOUS

LEGEND	
1. T	- TOP BAR
2. B	- BOTTOM BAR
3. VEF	- VERTICAL EACH FACE
4. VNF	- VERTICAL FAR FACE
5. VNF	- VERTICAL NEAR FACE
6. HEF	- HORIZONTAL EACH FACE
7. HNF	- HORIZONTAL FAR FACE
8. HNF	- HORIZONTAL NEAR FACE
9. T&B	- TOP&BOTTOM BAR
10. DWL	- DOWEL
11. COR	- CORNER BAR
12. INT	- INTERSECTION BAR
13. ADD	- ADDITIONAL BAR

REV	DATE	DESCRIPTION	DATE	APPROVAL
REINFORCING STEEL PLACING DRAWING ONLY. USE IN CONJUNCTION WITH CONTRACT DRAWINGS & SPECIFICATIONS. ELEVATIONS & DIMENSIONS SHOWN ON THIS DRAWING IS FOR DETAILING PURPOSES ONLY AND SHOULD NOT BE USED FOR CONSTRUCTION UNLESS VERIFIED BY ENGINEER OR CONTRACTOR.				
STRUCTURE		IRUMAM Sample Drawing		
LOCATION		NEWARKNJ		
ARCHITECT				
ENGINEER				
CUSTOMER				
MADE BY		DATE		CONTRACT No.
DRAWING COVERS		DRAWING No.		
RETAINING WALL #5 & FOUNDATION				



NOTE:
 * REFER 36.1 FOR BOTTOM AND BOTTOM ADDLS.
 * REFER 36.3 FOR TOP AND TOP ADDLS.

REV	DATE	DESCRIPTION	DATE	SENT FOR

NOTICE

Shortages, improper fabrication or claims for any other reason must be reported to SM Rebar Virginia within 5 days of delivery. SM Rebar Virginia reserves the right to field inspect prior to replacement or reconditioning nonconforming material, and will not honor charges for work done in the field without specific authorization from SM Rebar Virginia.

This is a reinforcing steel placing drawing only. Use in conjunction with the contract drawings and specifications. Elevations, dimensions and lap splice lengths shown on this drawing are for detailing purposes only, do not use for construction unless verified by the engineer or the contractor.

AG15 DESIGNATION	METRIC DESIGNATION	STRUCTURE	LOCATION
#3	#10M		WASHINGTON, DC
#4	#13M		
#5	#16M		
#6	#19M		
#7	#22M		
#8	#25M		
#9	#29M		
#10	#32M		
#11	#36M		
#14	#43M		
#18	#57M		

ASTM A615 GRADE 60	ASTM A615M GRADE 420	DATE	CONTRACT NO.

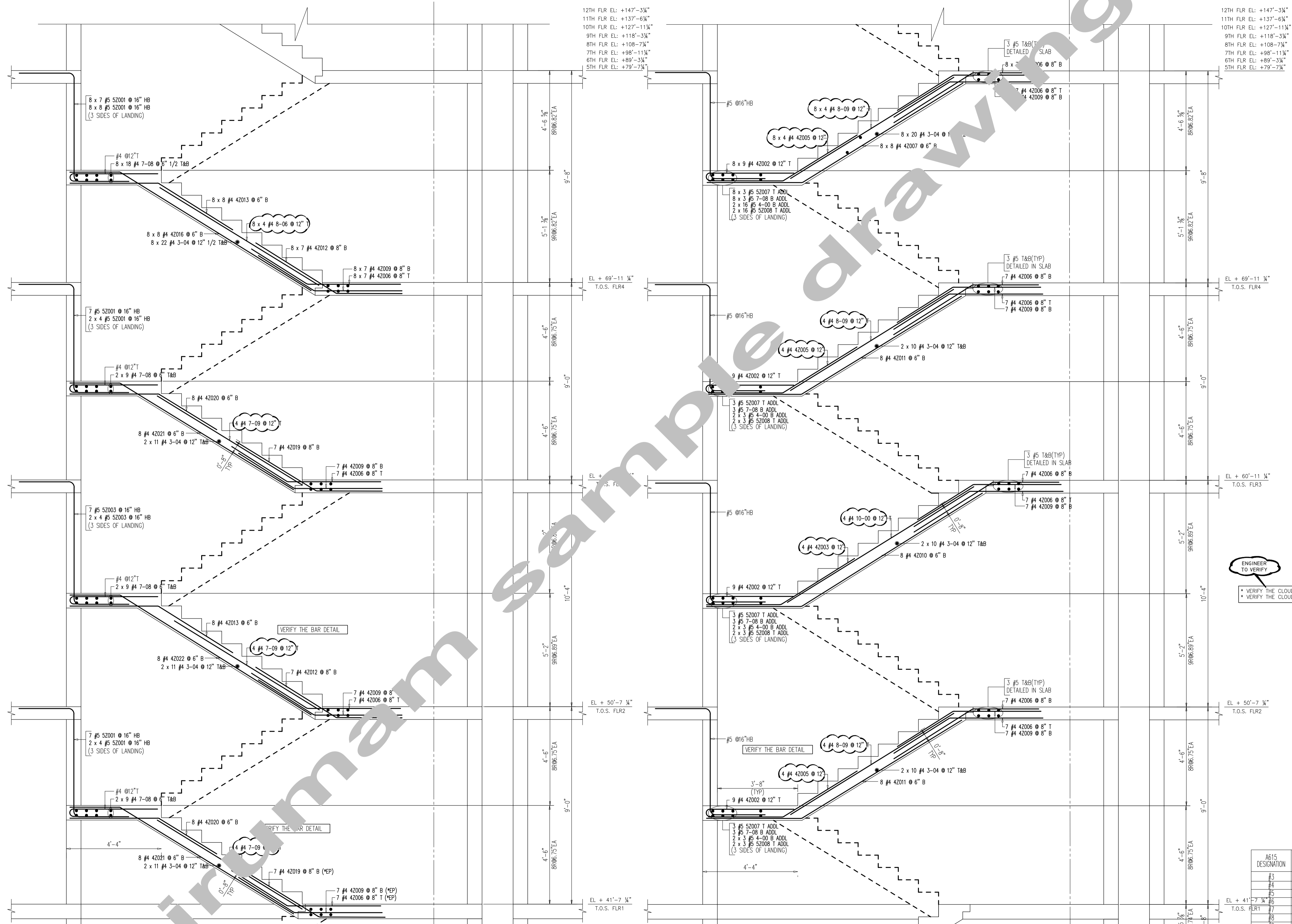
PH. ROOF-BEAMS

ENGINEER TO VERIFY

* PLEASE VERIFY THE CLOUDED DETAILS.

6

6



12TH FLR EL: +147'-3 1/4"
 11TH FLR EL: +137'-6 1/4"
 10TH FLR EL: +127'-11 1/4"
 9TH FLR EL: +118'-3 1/4"
 8TH FLR EL: +108'-7 1/4"
 7TH FLR EL: +98'-11 1/4"
 6TH FLR EL: +89'-3 1/4"
 5TH FLR EL: +79'-7 1/4"

12TH FLR EL: +147'-3 1/4"
 11TH FLR EL: +137'-6 1/4"
 10TH FLR EL: +127'-11 1/4"
 9TH FLR EL: +118'-3 1/4"
 8TH FLR EL: +108'-7 1/4"
 7TH FLR EL: +98'-11 1/4"
 6TH FLR EL: +89'-3 1/4"
 5TH FLR EL: +79'-7 1/4"

EL + 69'-11 1/4"
 T.O.S. FLR4

EL + 69'-11 1/4"
 T.O.S. FLR4

EL + 60'-11 1/4"
 T.O.S. FLR3

EL + 60'-11 1/4"
 T.O.S. FLR3

EL + 50'-7 1/4"
 T.O.S. FLR2

EL + 50'-7 1/4"
 T.O.S. FLR2

EL + 41'-7 1/4"
 T.O.S. FLR1

EL + 41'-7 1/4"
 T.O.S. FLR1

STAIR -1
 SEC. REF: 1/53.02A
 MID LANDING SLAB & WAIST SLAB 8" THICK U.N.O
 ALL TREAD ARE 11" U.N.O
 NOTE: HANGER BAR TO BE PLACED AT EACH SIDE OF LANDING

ENGINEER TO VERIFY
 • VERIFY THE CLOUDED ELEVATIONS.
 • VERIFY THE CLOUDED DIMENSIONS.

NOTE:
 • REFER 40.1 & 40.2 FOR STAIR #2 DETAILS
 • REFER 40.3 & 40.4 FOR STAIR #3 DETAILS
 • REFER 40.5 FOR KEY PLAN AND BBS

REV	DATE	DESCRIPTION	DATE	SENT FOR																																						
NOTICE																																										
Shortages, improper fabrication or claims for any other reason must be reported to SMI Rebar Virginia within 5 days of delivery. SMI Rebar Virginia reserves the right to field inspect prior to replacement or reconditioning nonconforming material, and will not honor charges for work done in the field without specific authorization from SMI Rebar Virginia.																																										
This is a reinforcing steel placing drawing only. Use in conjunction with the contract drawings and specifications. Elevations, dimensions and lap splice lengths shown on this drawing are for detailing purposes only, do not use for construction unless verified by the engineer or the contractor.																																										
ERD COMMENTS INCORPORATED																																										
<table border="1" style="width: 100%;"> <tr> <th>REV</th> <th>DATE</th> <th>DESCRIPTION</th> <th>DATE</th> <th>SENT FOR</th> </tr> <tr> <td> </td> <td> </td> <td> </td> <td> </td> <td> </td> </tr> </table>					REV	DATE	DESCRIPTION	DATE	SENT FOR																																	
REV	DATE	DESCRIPTION	DATE	SENT FOR																																						
<table border="1" style="width: 100%;"> <tr> <th>A615 DESIGNATION</th> <th>METRIC DESIGNATION</th> </tr> <tr> <td>#3</td> <td>#10M</td> </tr> <tr> <td>#4</td> <td>#13M</td> </tr> <tr> <td>#5</td> <td>#16M</td> </tr> <tr> <td>#6</td> <td>#19M</td> </tr> <tr> <td>#8</td> <td>#25M</td> </tr> <tr> <td>#9</td> <td>#29M</td> </tr> <tr> <td>#10</td> <td>#32M</td> </tr> <tr> <td>#11</td> <td>#36M</td> </tr> <tr> <td>#14</td> <td>#43M</td> </tr> <tr> <td>#18</td> <td>#57M</td> </tr> </table>		A615 DESIGNATION	METRIC DESIGNATION	#3	#10M	#4	#13M	#5	#16M	#6	#19M	#8	#25M	#9	#29M	#10	#32M	#11	#36M	#14	#43M	#18	#57M	<table border="1" style="width: 100%;"> <tr> <td>STRUCTURE</td> <td> </td> </tr> <tr> <td>LOCATION</td> <td> </td> </tr> <tr> <td>ARCHITECT</td> <td> </td> </tr> <tr> <td>ENGINEER</td> <td> </td> </tr> <tr> <td>CUSTOMER</td> <td> </td> </tr> <tr> <td>MADE BY</td> <td> </td> </tr> <tr> <td>DATE</td> <td> </td> </tr> <tr> <td>CONTRACT NO.</td> <td> </td> </tr> </table>			STRUCTURE		LOCATION		ARCHITECT		ENGINEER		CUSTOMER		MADE BY		DATE		CONTRACT NO.	
A615 DESIGNATION	METRIC DESIGNATION																																									
#3	#10M																																									
#4	#13M																																									
#5	#16M																																									
#6	#19M																																									
#8	#25M																																									
#9	#29M																																									
#10	#32M																																									
#11	#36M																																									
#14	#43M																																									
#18	#57M																																									
STRUCTURE																																										
LOCATION																																										
ARCHITECT																																										
ENGINEER																																										
CUSTOMER																																										
MADE BY																																										
DATE																																										
CONTRACT NO.																																										
<table border="1" style="width: 100%;"> <tr> <th>ASTM A615 GRADE 60</th> <th>ASTM A615M GRADE 420</th> </tr> </table>		ASTM A615 GRADE 60	ASTM A615M GRADE 420	<table border="1" style="width: 100%;"> <tr> <td colspan="2" style="text-align: center;">DRAWING COVERS</td> </tr> <tr> <td colspan="2" style="text-align: center;">GR TO ROOF LVL-STAIR #1</td> </tr> <tr> <td colspan="2" style="text-align: center;">GROUND FLR - 12TH FLR</td> </tr> </table>			DRAWING COVERS		GR TO ROOF LVL-STAIR #1		GROUND FLR - 12TH FLR																															
ASTM A615 GRADE 60	ASTM A615M GRADE 420																																									
DRAWING COVERS																																										
GR TO ROOF LVL-STAIR #1																																										
GROUND FLR - 12TH FLR																																										